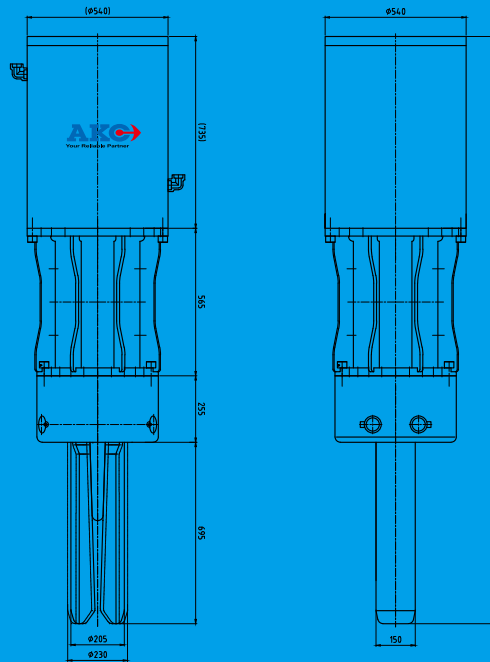


ULTRA WEDGE Rock Splitter

ULTRA 2000W is engineered for tough job of rock splitting without noise and vibration and is ideal to replace prohibited blasting. Strong wedge ensures less operation cost and longer lifetime. It is for 200mm dia. Of hole and makes higher productivity of rock demolition vs. smaller competitors



Rotation bracket assists operator to position wedge into holes quick and decreases downtime for following works.



Specification

Desription	ULTRA 2000W
Max. Operating Oil Pressure	350bar
Operating Oil Flow	100~250 lpm
Operating Weght	2000kg
Excavator Weight	Over 20 ton
Drilling Hole Dia.	203mm

ULTRA WEDGE

Rock Splitter

Silent

Clean

Safe

